

# EVARD PRECISION



## TYPE-CP 80

### Pneumatic self-centering vice

## Power & Precision

The range of **self-centering pneumatic vices** is being expanded. The new **CP 80** offers all the advantages of its big brother in a **more compact** version. Always **powerful and precise**, it achieves a **clamping force of 1000 Kg at 6 bar**. Accessibility has been optimised and the space requirement reduced to increase efficiency.

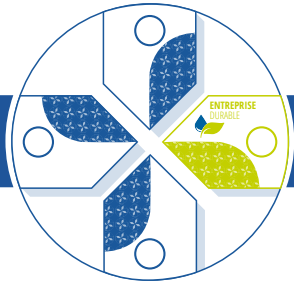
Optimal for 5 axes, the **CP 80** reveals its **modular character** with a **self-centering pneumatic clamping inwards and outwards** offering the possibility of an **off-center positioning**. Its **large clamping range, excellent repeatability** and **intelligent design** make it a reliable tool from roughing to finishing.



- ↳ 100% Swiss Made
- ↳ Wide clamping range due to adjustable jaws
- ↳ Adaptable to every machine
- ↳ Modular clamping
- ↳ Fast and easy setup
- ↳ High clamping force up to 1,7 tons

**NEW**

SUBJECT TO CHANGE



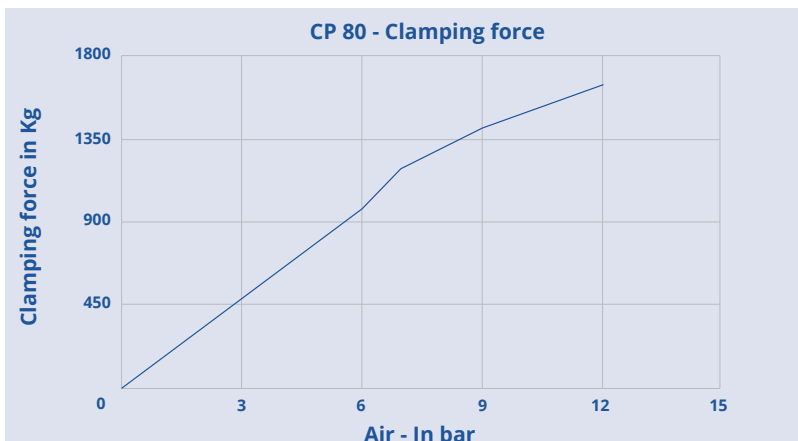
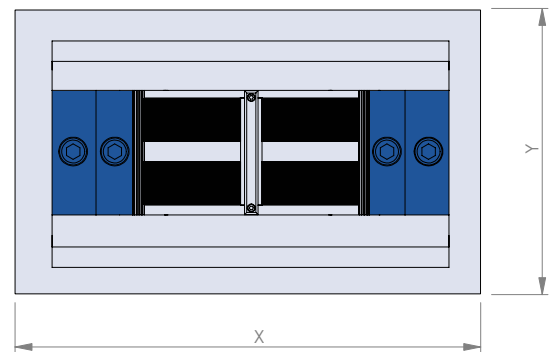
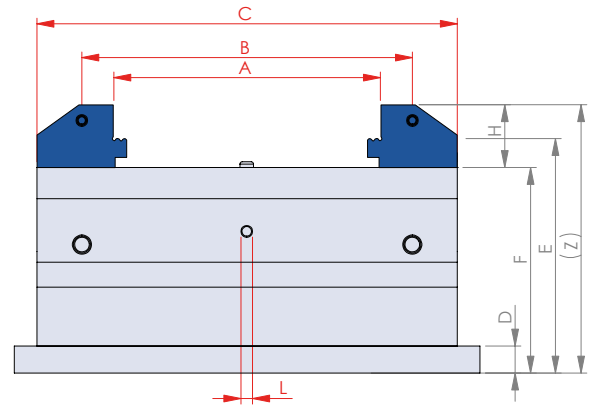
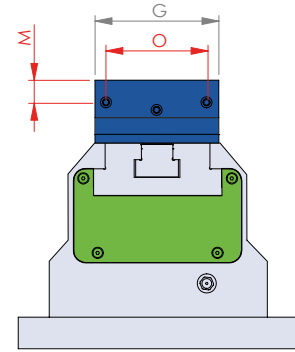
**EVARD PRECISION**



# TYPE-CP 80

## Pneumatic self-centering vice

Designation	ref	CP 80
Clamping force at 6 bar (air)	Kg	1000
Weight	Kg	32
Clamping stroke	mm	3.8
<b>Opening with stepped jaws</b>		
Opening with stepped jaws	A	152
Opening without additional jaws	B	250
Length of the vice	C	136
<b>Total length</b>		
Total length	X	290
<b>Total width</b>		
Total width	Y	175
<b>Total height</b>		
Total height	Z	167.5
<b>Height of the bearing surface</b>		
Height of the bearing surface	E	145.5
<b>Height of the body</b>		
Height of the body	F	128
<b>Height of the jaws</b>		
Height of the jaws	H	39.5
<b>Jaw widths</b>		
Jaw widths	G	78
<b>Height of the base plate</b>		
Height of the base plate	D	20
<b>Mounting position with additional jaws</b>		
Mounting position with additional jaws	M	11
<b>Interaxial distance between the additional jaws</b>		
Interaxial distance between the additional jaws	O	63
<b>Fixing thread stop 2x</b>		
Fixing thread stop 2x	L	M10



**NEW**

**Evard Précision SA**

Rue des Petits-Champs 9 • CH-1400 Yverdon-les-Bains  
T (+41) 24 / 424 01 09 • E-mail : info@evard-precision.ch • www.evard-precision.ch